

19" MILSYNAPSE All-in-One Thin Client

19" All-in-One Thin Client Computer with Quad Core Atom Valleyview CPU



- **Intel® Quad Core Atom™ Valleyview Processor (E3815)**
- **Fanless, 60°C Op Temp**
- **19" 1280 x 1024 LED Backlit Display**
- **2 USB 3.0 Ports**
- **2 Gb Ethernet LAN Ports**
- **1 Serial RS-232/422/485 Port**
- **2 Mini-PCIe, 1 SIM, 1 mSATA**
- **Externally ejectable CFAST Card**

Rugged 19" All-in-One Thin Client Computer with Quad Core Processor

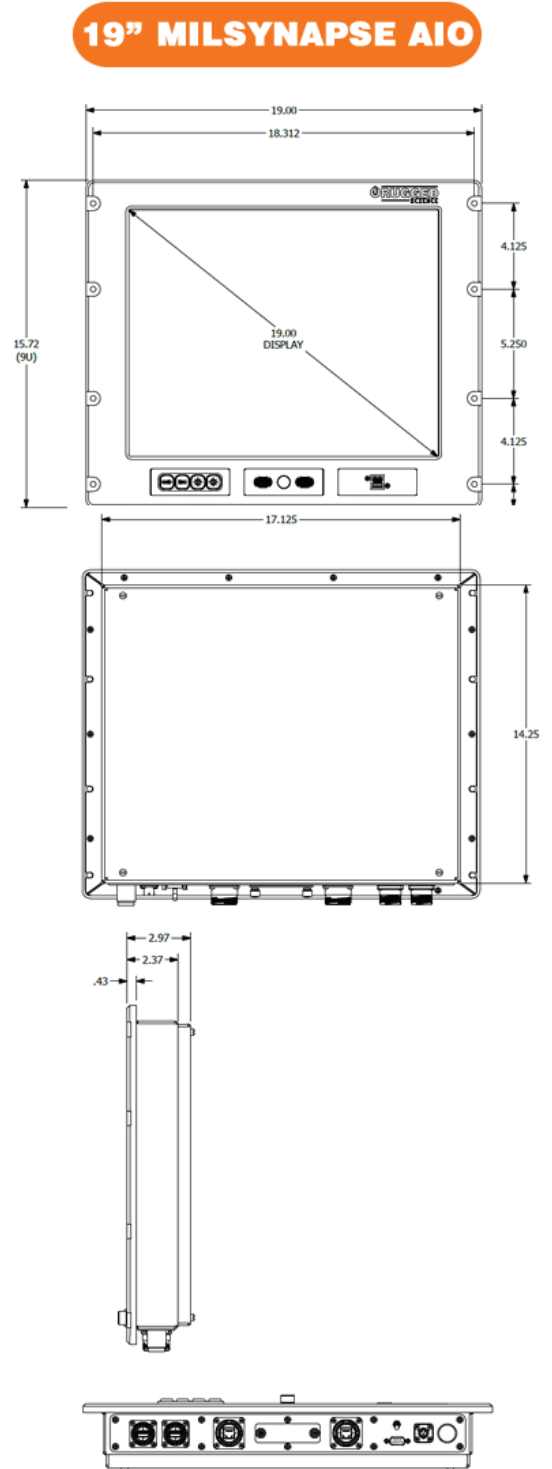
The 19" MILSYNAPSE All-in-One Thin Client is equipped with an Intel® Quad-Core Atom™ E3845 Valleyview CPU (1.91GHz). Now high capacity computing and high quality 3D resolution are available in an ultra-low voltage, ultra low profile, All-in-One computer design. The new Intel Valleyview QuadCore Atom CPUs give the MILSYNAPSE enough computing power to be deployed as both a thick or thin client in end applications. Like all Rugged Science computers, the SYNAPSE is fanless and completely solid state. With an operating temperature range of -25°C to 60°C (-13°F to 140°F), it can be a reliable workhorse in your military or industrial application. The 19" MILSYNAPSE AIO is designed to meet MIL-S-901D, MIL-STD-461F, and MIL-STD-167-1. The All-in-One embedded design is fanless and completely solid state and can withstand a wide operating temperature range of -25°C to 60°C (-13°F to 140°F). It comes mil-spec ready with 1 RS-232/422/485 serial port, 2 USB 3.0 ports, 2 GB Ethernet LAN ports and 2 Mini PCIe sockets for future expandability.

19" MILSYNAPSE AIO

Specifications

Part #: CC19-MS300-AIO

System	
Processor	Intel® Atom™ Valleyview (Bay Trail) Processor (E3815) 1.9GHz
Memory	1 DDR3L 1600 SODIMM, Max. 8Gb
OS	Windows 7 Embedded Standard
I/O Ports	
Serial Interface	1 COM RS-232/422/485 ports
USB	2 USB 3.0 via MIL Circular Connectors
Isolated DIO (Optional)	4 Digital Input 4 Digital Output
Expansion	
Mini-PCIe	1x miniPCIe socket (PCIe + USB+ SIM card socket) 1x miniPCIe socket (PCIe + USB) mSATA socket
Graphics & Video	
Display & Resolution	19" LED Backlit LCD 1280 x 1024 Resolution
Touchscreen	Ruggedized Resistive Touchscreen
Brightness	300 nits
Aspect Ratio	4:3 Aspect ratio
Storage	
SATA / SSD	1 SATA II Ports at 3.0Gb/s for 2.5" SSD
mSATA	1 miniPCIe(full size) Supports mSATA
Ethernet	
Copper LAN	2 Gigabit Ethernet by Intel® I211 via MIL Circular Connectors
Power	
Power Input	85-264VAC IN via MIL Circular Power Connector
Mechanical	
Chassis	Aluminum Housing
Size (W x D x H)	19" x 15.72" x 2.97"
Weight	22.9 lbs
Environmental	
Operating Temp	-25°C to 60°C (-13°F to 140°F)
Storage Temp	-40°C to 85°C (-40°F to 185°F)
Humidity	10% to 95% Humidity, Non-condensing
Relative Humidity	95% at 70°C
Shock, Vibe, EMI	Designed to Meet MIL-S-901D, MIL-STD-461F, MIL-STD-167-1 Qualification in process
Additional	
Watchdog Timer	Reset: 1 to 255 sec / min Per Step
Audio Interface	2 Speaker 110dB Output



Call
1.855.769.9747