

ECX-1000 FANLESS EMBEDDED COMPUTER

8th Generation Intel® Xeon®/Core™ i7/i5/i3 (Coffee Lake)
Workstation-grade Fanless Embedded System

10GigE

- 6 Cores 8th Generation Intel® Xeon®/Core™ i7/i5/i3 (Coffee Lake-S) with Workstation-grade Intel® C246 Chipset
- Fanless, -40°C to 75°C Operating Temperature
- 9 Independent GigE LAN with 4 IEEE 802.3at PoE+
- SIM Sockets for WiFi/4G/3G/LTE/GPRS/UMTS
- 2 2.5 SSD Tray, 2 SIM Socket, 1 CFast Socket, 2 M.2 Socket
- 6 USB 3.1, 4 COM RS-232/422/485, 16 Isolated DIO
- Expansion : SUMIT A, B, M.2, up to 5 Mini PCIe
- 6V to 36V DC Power Input with 80V Surge Protection
- Configurable Ignition Power Control
- Optional supports multiple 10GigE RJ45/10GigE SFP+/GigE SFP LAN Configuration

Robotic Control



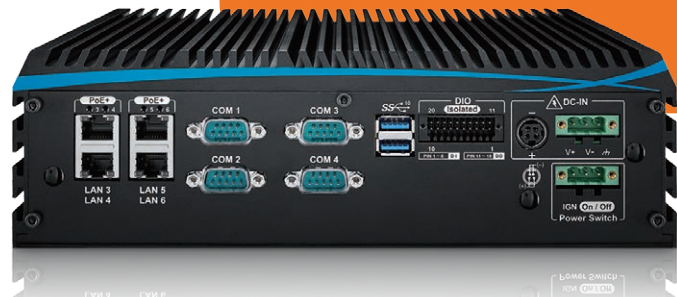
Vehicle Computing



Machine Vision



Intelligent Surveillance



Specifications

System

Processor	6 Cores Intel® Xeon®/Core™ i7/i5/i3 Processor (Coffee Lake-S)
Chipset	Intel® C246 Chipset
BIOS	AMI
SIO	IT8786E
Memory	2 DDR4 2666MHz SO-DIMM, up to 32GB (ECC/Non-ECC)
OS	Windows 10, Linux

I/O Interface

Serial	4 COM RS-232/422/485 (ESD 8KV)
USB	- 6 USB 3.1 (External) - 1 USB 2.0 (Internal)
Isolated DIO	16 Isolated DIO : 8 DI, 8 DO (Optional)
LED	Power, HDD, PoE, Wireless
SIM Card	2 External SIM Card Socket

Expansion

Mini PCIe	2 Full-size Mini PCIe Socket for PCIe/USB/External SIM Card/mSATA
M.2	1 M.2 Key E Socket
SUMIT A, B	2 SUMIT Slot (Optional)

Graphics

Graphics Processor	Intel® UHD Graphics P630/630
Interface	- DVI-I : Up to 1920 x 1200 @ 60Hz - DVI-D : Up to 1920 x 1080 @ 60Hz - DisplayPort : Up to 4096 x 2304 @ 60Hz

Storage

SATA	2 SATA III (6Gbps) support S/W RAID 0, 1
mSATA	2 SATA III (Mini PCIe Type, 6Gbps)
Storage Device	- 1 CFast Socket, Push-in/Push-out Ejector - 2 Front-access 2.5" SSD/HDD Tray - 1 M.2 Key M Socket

Audio

Audio Codec	Realtek ALC892, 5.1 Channel HD Audio
Audio Interface	1 Mic-in, 1 Line-out

Ethernet

LAN 1	Intel® I219LM GigE LAN supports iAMT 12.0
LAN 2	Intel® I210 GigE LAN
LAN 7 to LAN 9	Intel® 82574L GigE LAN

PoE

LAN 3 to LAN 6	GigE IEEE 802.3at (25.5W/48V) PoE+ by Intel® I210
----------------	---

SFP (ECX-1000-6FR/6F)

LAN 5 & LAN 6	1000BASE SFP by Intel® I350
---------------	-----------------------------

10G Ethernet (ECX-1055R/1055/1071R/1071)

LAN 7 & LAN 8	- Intel® X550-AT2 10GigE LAN - Intel® X710-BM2 10GigE LAN supports IEEE 802.3 10GBASE-T SFP+
---------------	---

Power

Power Input	6V to 36V, DC-in
Power Interface	3-pin Terminal Block : V+, V-, Frame Ground
Ignition Control	16 Mode (Internal)
Remote Switch	3-pin Terminal Block
Surge Protection	Up to 80V/1ms Transient Power

Others

TPM	Optional Infineon SLB9665 supports TPM 2.0, LPC Interface
Watchdog Timer	Reset : 1 to 255 sec./min. per step
Smart Mgmt.	Wake on LAN, PXE supported
HW Monitor	Monitoring temperature, voltages. Auto throttling control when CPU overheats.

Mechanical

Dimensions	(W) 260mm x (L) 175mm x (H) 79mm (10.24" x 6.89" x 3.11")
Weight	3.8 kg (8.38 lb)
Mounting	- Wallmount by mounting bracket - DIN Rail Mount (Optional) - 2U Rackmount (Optional)

Environment

Operating Temp.	35W TDP CPU : -40°C to 75°C (-40°F to 167°F)
	65W TDP CPU : -40°C to 55°C (-40°F to 131°F)
	80W TDP CPU : -40°C to 45°C (-40°F to 113°F)
	10G Series : -40°C to 55°C (-40°F to 131°F)
Storage Temp.	-40°C to 85°C (-40°F to 185°F)
Humidity	5% to 95% Humidity, non-condensing
Relative Humidity	95% @ 75°C
Shock	- IEC 60068-2-27
	- SSD : 50G @ wallmount, Half-sine, 11ms
Vibration	- IEC 60068-2-64
	- SSD : 5Grms, 5Hz to 500Hz, 3 Axis
EMC	CE, FCC, EN50155, EN50121-3-2

Order Information

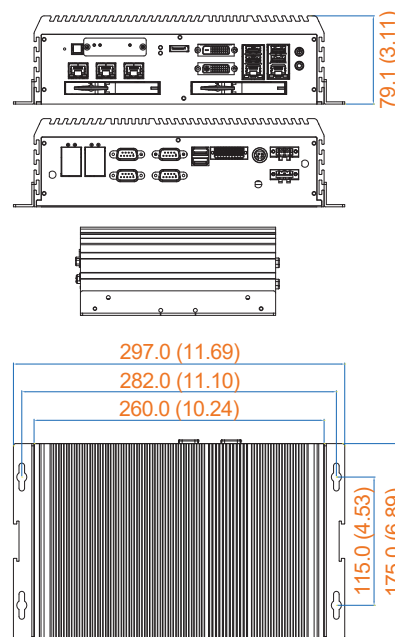
Model Name	GigE LAN	PoE+	SFP	10G RJ45	10G SFP+	SSD Tray	USB 3.1	Isolated DIO	GPIO	Fanless
ECX-1000-9R	9	4	-	-	-	2				
ECX-1000-9GD	9	4	-	-	-	-		16	-	
ECX-1000-PoER	6	4	-	-	-	2				Yes
ECX-1000-PoE	6	4	-	-	-	-				
ECX-1000-6FR	6	-	2	-	-	2				Yes
ECX-1000-6F	6	-	2	-	-	-				
ECX-1000-4R	4	-	-	-	-	2	6	-	16	
ECX-1000-4G	4	-	-	-	-	-				
ECX-1000-2R	2	-	-	-	-	2				
ECX-1000-2G	2	-	-	-	-	-				
ECX-1055R	6	4	-	2	-	2				-
ECX-1055	6	4	-	2	-	-		16	-	
ECX-1071R	6	4	-	-	2	2				Yes
ECX-1071	6	4	-	-	2	-				

CPU List

Series	CPU	Cache (MB)	Turbo Freq. (GHz)	TDP (W)	ECC Memory
Intel® Xeon®	E-2176G	12	4.6	80	
	E-2124G	8	4.5	71	Yes
Intel® Core™	i7-8700	12	4.6	65	NA
	i7-8700T	12	4.0	35	
	i5-8500	9	4.1	65	NA
	i5-8500T	9	3.5	35	
	i3-8100	6	3.6	65	
	i3-8100T	6	3.1	35	Yes

Dimensions & Drawing

Unit : mm (inch)



* The rights of all brand names, product names and trademarks belong to their respective owners.