

LMX-200 EXPANSION CARD

Intel® I210 Mini PCIe 2-port Gigabit LAN Card, dual 10/100/1000 BASE-T, IEEE 802.3, IEEE 802.3u, IEEE 802.3ab Compliant



Features

- -40°C to 85°C Operating Temperature
- 9.5KB Jumbo Frame, Link Aggregation
- Teaming Functions
- IEEE 1588 Precision Time Protocol (PTP)
- IEEE 802.3, 802.3u and 802.3ab compliant
- Supports IEEE 802.3x Full Duplex Flow control
- Supports IEEE 802.1P Layer 2 Priority Encoding
- Supports IEEE 802.1Q VLAN Tagging
- Crossover Detection and Auto Correction Operation

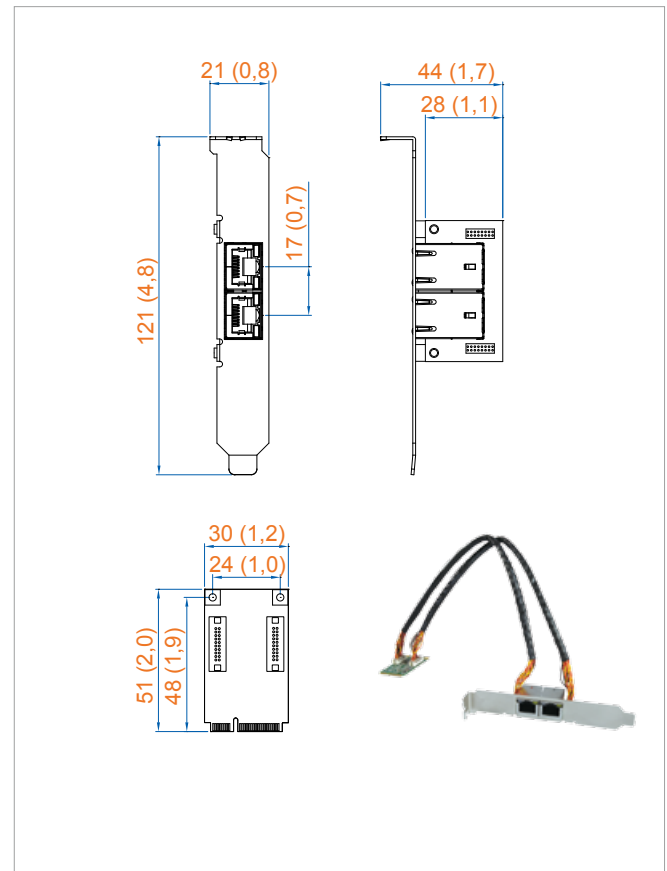


Specifications

Ethernet	
Interface	PCI Express x1
Chipset	2 Intel® I210 Gigabit LAN
Data Rate	10/100/1000 Mbps
Number of Port	2
Jumbo Frame	9.5KB supported
Link Aggregation (LAG)	Present
Connector	8-pin RJ45
Mechanical	
Dimensions (W x L)	Mini Card : 30mm x 51mm Daughter Card : 50.5mm x 27.7mm Cable Length : 300mm
Weight	145 g
Environment	
Operating Temperature	-40°C to 85°C (-40°F to 185°F)
Storage Temperature	-40°C to 85°C (-40°F to 185°F)
Humidity	5% to 95% Humidity, non-condensing
Relative Humidity	95% @ 70°C
EMC	CE, FCC
Packing List	
1 LMX-200 Mini PCIe LAN Card 1 RJ45 Connector Card 1 Connection Cable 1 Driver CD 1 Screw Kit 1 Bracket	

Dimensions

Unit : mm/ inch



Order Information

LMX-200	Intel® I210 Mini PCIe 2-port Gigabit LAN Card
---------	---

* The rights of all brand names, product names and trademarks belong to their respective owners.