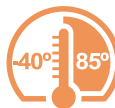


PE-7004MX (M12)

Intel® X550-AT2 4-port X-coded M12 10GigE IEEE 802.3at PoE+ Expansion Card, PCI Express x8, -25°C to 60°C



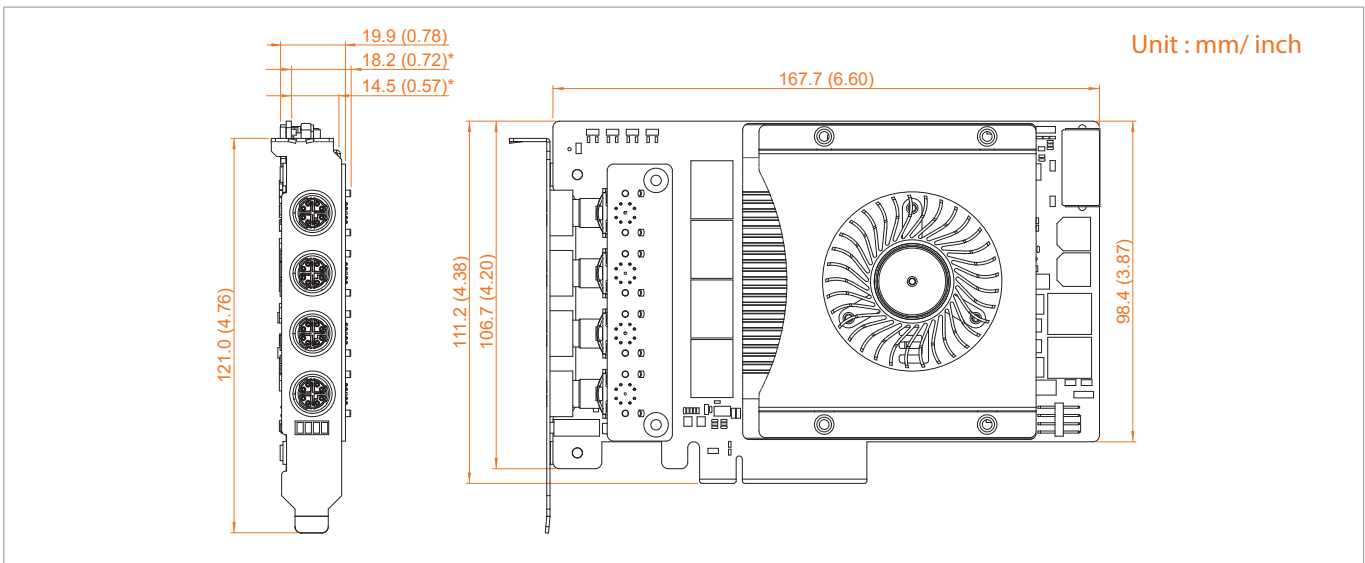
- Intel® X550-AT2 10GBASE-T Ethernet Controllers support 4-port independent 10GigE LAN, up to 10Gbps data rate
- IEEE 802.3at Power over Ethernet (PoE+), rugged X-coded M12 connectors, up to 25.5W Power Output at 48V DC per port, with PoE+ On/Off Control
- IEEE 1588 Precision Time Protocol (PTP) and IEEE 802.1AS Precision Timing Synchronization compliant
- PCI Express x8 interface, PCIe 3.0 supports up to 8.0 GT/s
- Up to 15.5KB Jumbo Frame, Link Aggregation
- Supports IEEE 802.3az Energy Efficient Ethernet (EEE) and DMA Coalescing Power Management Features
- Supports NBASE-T technology (2.5 and 5.0 GbE over CAT 5e/CAT 6)
- -25°C to 60°C Operating Temperature



Specifications

Ethernet	
Power Requirement	PCI Express x8
LAN Controller	Intel® Ethernet Controller X550-AT2
LAN Controller Qty	2
Data Rate	10Gbps/*5Gbps/*2.5Gbps/1Gbps/100Mbps (*Linux only)
Number of Port	4
Jumbo Frame	Up to 9.7KB supported
Link Aggregation (LAG)	Present
Connector	8-pin X-coded M12 Connector
PoE Standard	IEEE 802.3at compliant
Power Requirement	
Output	<ul style="list-style-type: none"> Up to 25.5W Power Output @48V DC per port 4 LED for PoE On/Off Mode
Power Connector	1 4-pin 12V Power Connector

Software Support	
OS	Windows 10, Windows 8.1, Windows 7, Linux
Mechanical	
Dimensions (W x D x H)	167.7mm x 111.2mm x 19.9mm (6.60" x 4.38" x 0.78")
Bracket	Full Height
Environment	
Operating Temperature	-25°C to 60°C with air flow (-40°F to 140°F)
Storage Temperature	-40°C to 85°C (-40°F to 185°F)
Humidity	5% to 95% Humidity, non-condensing
Relative Humidity	95% @60°C
EMC	CE, FCC



*PE-7004MX is slightly thicker than the standard PCIe card width (14.5mm) and may interfere with the slot on the right side. For mechanical assessment, please contact us.

Order Information

PE-7004MX	Intel® X550-AT2 4-CH PCI Express Card with X-coded M12 10Gig PoE *
-----------	--

PE-7004MX

* All product information may subject to change without prior notice.

* The rights of all brand names, product names and trademarks belong to their respective owners.