

## **RES-1000** ULTRA-COMPACT FANLESS COMPUTER

IP67 Rugged Embedded System with Intel® Core™ i7/i5/i3 U-series Processor  
High-Performance, Fanless -30°C to 70°C Extended Temperature



- Compact & Slim design, IP67 protection
- Fanless, -30°C to 70°C Operating Temperature
- 6th Generation Intel® Core™ i7/i5/i3 U-series SoC (Skylake-U)
- DDR4 2133MHz memory, up to 16GB
- Intel® HD Graphics 520 supports DirectX 12, OpenGL 4.5 and OpenCL 2.0
- Dual X-coded M12 GigE LAN, iAMT 11.0 supported
- 2 M12 COM RS-232/422/485, 1 M12 for 2-port USB
- 9V to 36V DC Power Input, M12 Waterproof Connector
- One-stop customized Design and Manufacturing Services



## Specification

### S

Processor	Intel®Corei7/i5/i3/Celeron® U-series Proc essor(Skylake-U)
Chipset	Intel® SOC (Skylake)
BIOS	AMI
SIO	IT8786E
Memory	1 DDR42133MHz SO-DIMM, up to 16GB
OS	Windows 10,Windows 8.1, Windows 7, Linux

### I/O Interface

Serial	2 COMRS-232/422/485, A-coded M12 Connector
USB	1 supports 2-port USB 2.0, A-coded M12 Connector
LED	Power, HDD

### Graphics

Graphics Processor	Intel®HDGraphics 520
Interface	IP67 Waterproof DVI-D Connector, up to 1920x1200@60Hz

### Storage

SATA	1 SATA III (6Gbps)
mSATA	1 SATA III (Mini PCIe Type,6Gbps)
Storage Device	- 1 mSATA Socket - 1 Internal 2.5" SSD/HDD Bracket (Optional)

### Ethernet

LAN1	Intel®I219LM GigELAN supports iAMT 11.0, X-coded M12 Connector
LAN2	Intel®I210 GigELAN, X-coded M12 Connector

### Power

Power Input	9V to 36V, DC-in
Power Interface	A-coded M12 Connector
Power Switch	IP67 Waterproof Power Button

### Others

Watchdog Timer	Reset: 1 to 255 sec./min. per step
Smart Management	Wake on LAN, PXE supported
HWMonitor	Monitoring temperature, voltages. Auto throttling control when CPU overheats.

### Mechanical

Dimensions	(W)250mm x (L) 180mm x (H)44mm (9.8" x 7.1" x 1.7")
Weight	2.3 kg (5.07 lb)
Mounting	- Wall mount by mounting bracket - VESA Mount

### Environment

Operating Temp.	-30°C to 70°C (-22°F to 158°F)
Storage Temp.	-40°C to 85°C (-40°F to 185°F)
Humidity	5% to 95% Humidity, non-condensing
Relative Humidity	95% @ 70°C
Shock	- IEC 60068-2-27 - SSD: 50G @ wallmount, Half-sine, 11ms
Vibration	- IEC 60068-2-64 - SSD: 5Grms, 5Hz to 500Hz, 3 Axis
EMC	CE, FCC, EN50155, EN50121-3-2

\* The rights of all brand names, product names and trademarks belong to their respective owners.  
Copyright © 2019 Rugged Science. All rights reserved.

## Order Information

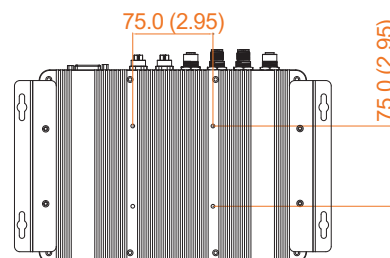
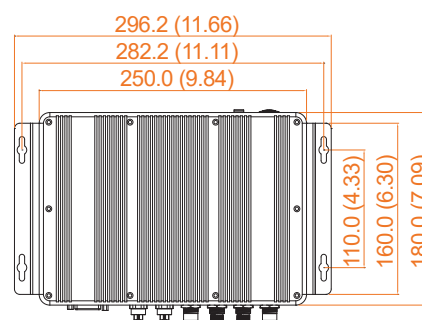
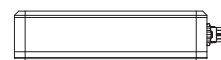
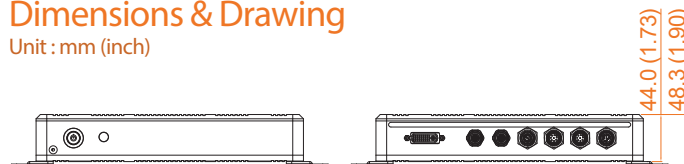
Model Name	Processor	GigELAN	COM	USB 2.0
RES-1000-600U	Intel®Core™ i7-6600U	2	2	2
RES-1000-300U	Intel®Core™ i5-6300U			
RES-1000-100U	Intel®Core™ i3-6100U			
RES-1000-955U	Intel®Celeron®3955U			

### Accessories

DDR4 16G	Certified DDR4 16GB 2133MHz RAM
DDR4 8G	Certified DDR4 8GB 2133MHz RAM
DDR4 4G	Certified DDR4 4GB 2133MHz RAM
2.5" SATA HDD	Certified 2.5" SATA HDD
2.5" SATA SSD	Certified 2.5" SATA SSD
mSATA SSD	Certified mSATA MLC SSD 64GB
IP67 Rated DVI Cable	IP67 Rated DVI-D Cable, 200cm
IP67 Rated Ethernet Cable	IP67 Rated M12 to RJ45 Ethernet Cable, 200cm
IP67 Rated COM Cable	IP67 Rated M12 to COM Cable, 200cm
PWA-120W	120W, 24V, 90VAC to 264VAC Power Adapter with 3-pin Terminal Block

## Dimensions & Drawing

Unit : mm (inch)



Contact us at **855.769.9747** or email at [sales@ruggedscience.com](mailto:sales@ruggedscience.com) to learn about our customizable solutions for your business.