

**RS-1510 RUGGEDCOM® MILITARY LAYER 3 ETHERNET SWITCH**


featuring


**RUGGEDCOM®**  
 INDUSTRIAL STRENGTH NETWORKS™  
 a **SIEMENS™** business

## ABOUT

The Rugged Science™ RS-1510 RUGGEDCOM™ Military Ethernet Switch is a sealed, hard-mount enclosure housing a SIEMENS™ RX1510 utility grade, modular, layer 2/3 switch.

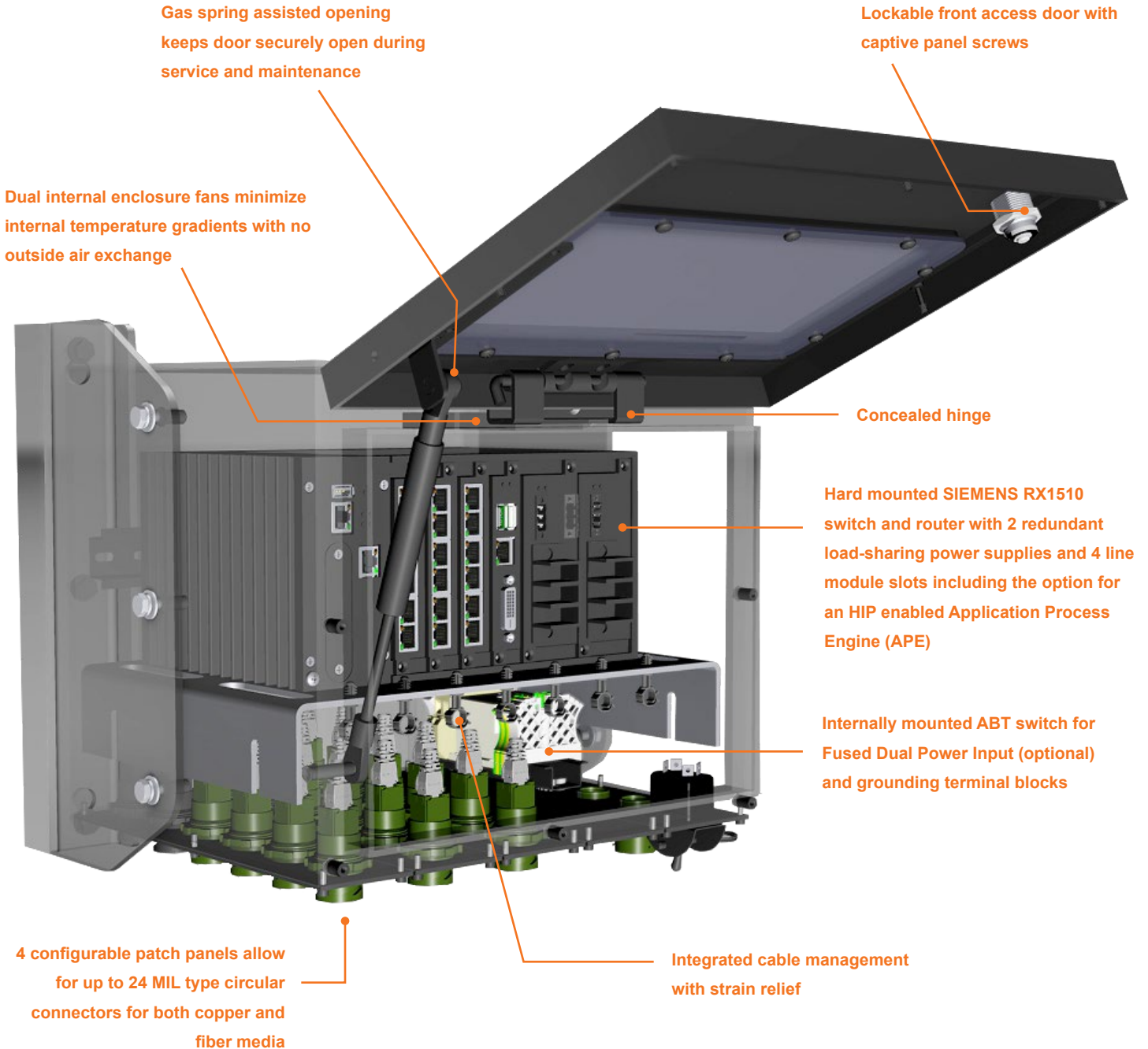
Designed to operate reliably in harsh environments, the RS-1510 meets MIL-SPEC ratings for shock, vibration, EMI, temperature, and humidity. Four external patch panels with up to 24 MIL-SPEC circular connectors provide remarkable flexibility and allow the RS-1510 to be deployed in mission-critical applications for military and marine use.

With an operating temperature range of -25°C to +70°C coupled with an IP65 rated all aluminum construction the RS-1510 provides superior reliability and comprehensive networking function unmatched in the market.

## FEATURES

- **Designed to meet Military Specifications:**
  - MIL-STD-901D Shock
  - MIL-STD-167-1 Vibration
  - MIL-STD-461F EMI
- **Allows up to 24 MIL type circular connectors for both copper and fiber media**
- **Integrated cable management for strain relief**
- **Lockable, stay-open front access panel with integrated viewing window**
- **Dual internal fans**
- **Redundant hot-swappable power supplies**
- **Operating Temp of -25°C to +70°C**
- **IP65 rated enclosure - dust and water resistant**
- **Advanced Cyber Security options available through secure identity-based modules**





## Enclosure Specifications

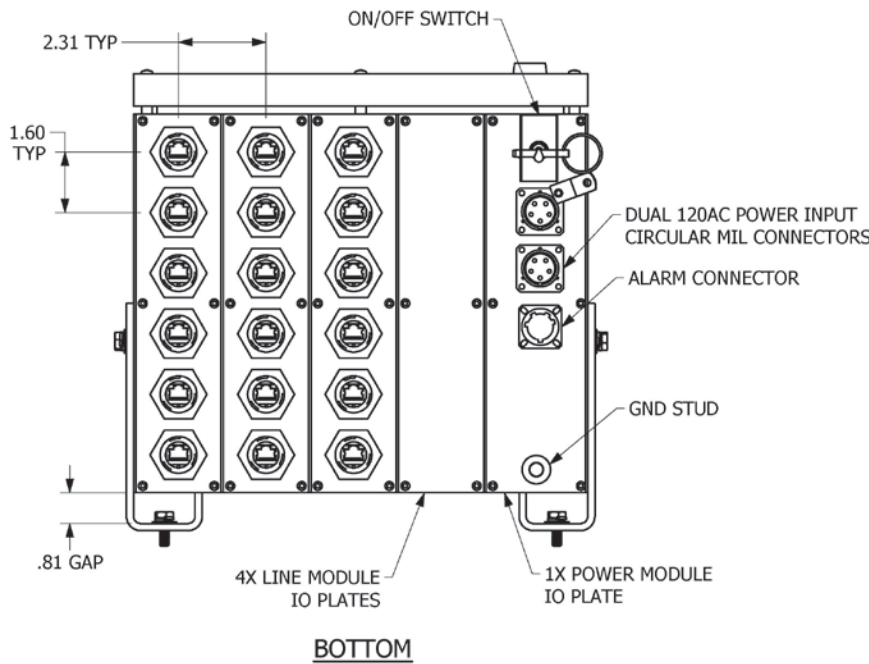
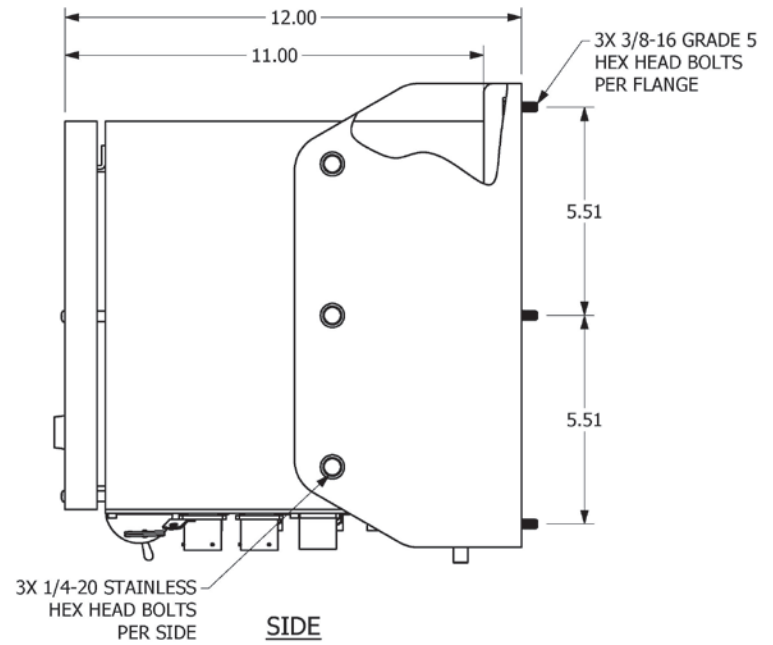
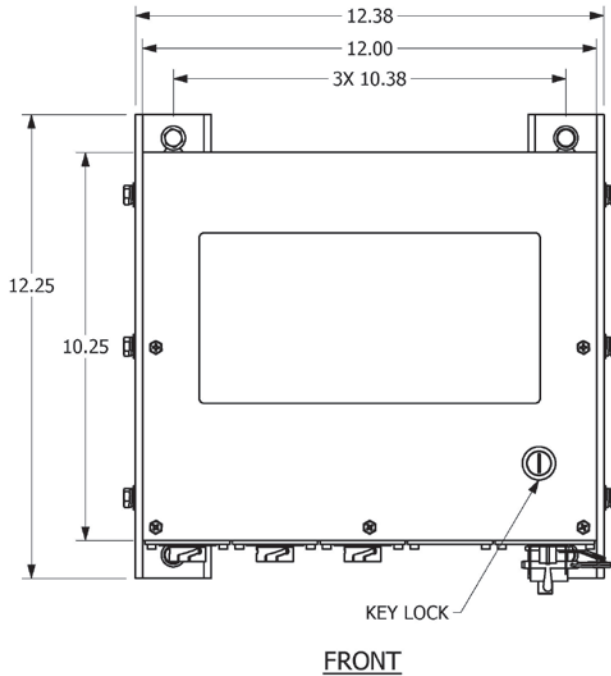
<b>Physical</b>	10.25 (H) x 12.0 (W) x 11.0 (D)
<b>Weight</b>	50 lbs. fully loaded
<b>Ingress Protection</b>	IP65 dust, water
<b>Enclosure</b>	Aluminum alloy, chemically treated, powder coated
<b>Mounting</b>	2 separate mounting brackets or single wrap-around bracket
<b>Mounting Pattern</b>	3x 3/8-16 bolts per side - customizable bolt pattern options

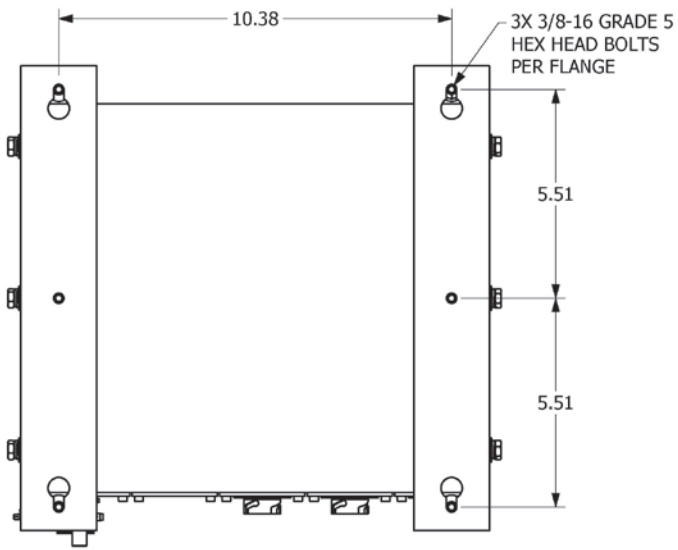
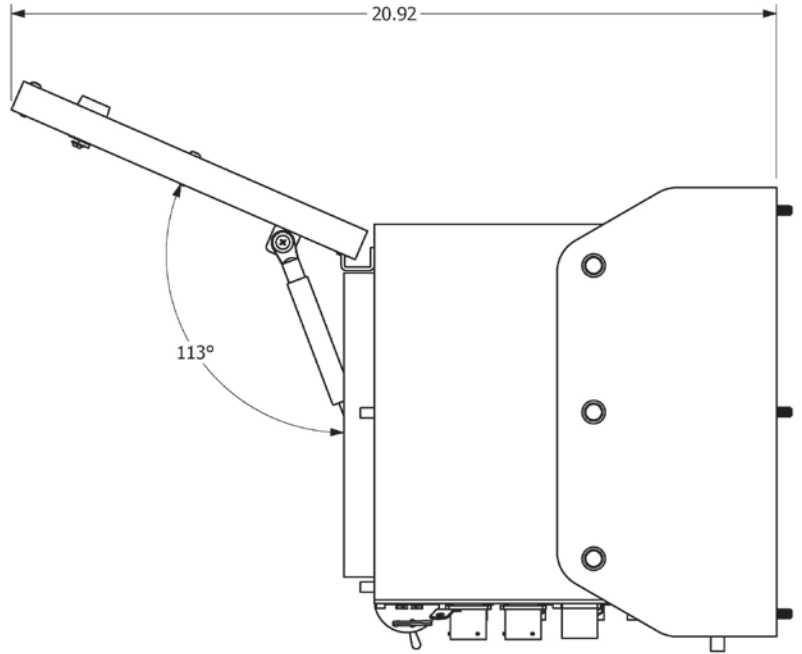
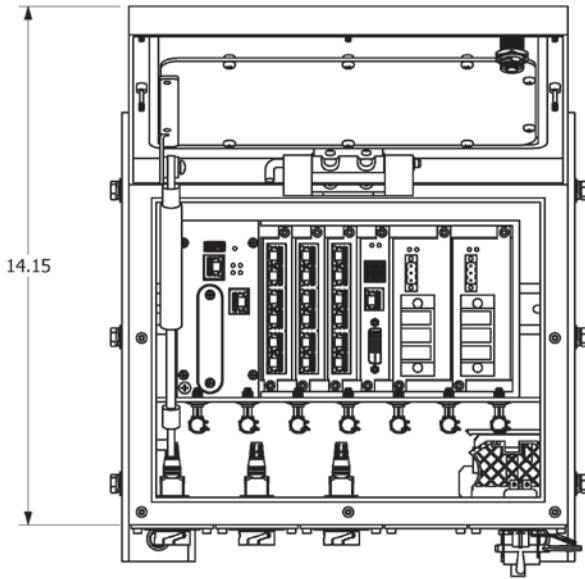
## Military Specifications

<b>Shock</b>	Designed to meet MIL-STD-901D
<b>Vibration</b>	Designed to meet MIL-STD-167-1
<b>EMI</b>	Designed to meet MIL-STD-461F
<b>Environmentals</b>	Designed to meet MIL-STD-810G
<b>Electrical Current</b>	AC: Designed to meet MIL-STD-1399, section 300B

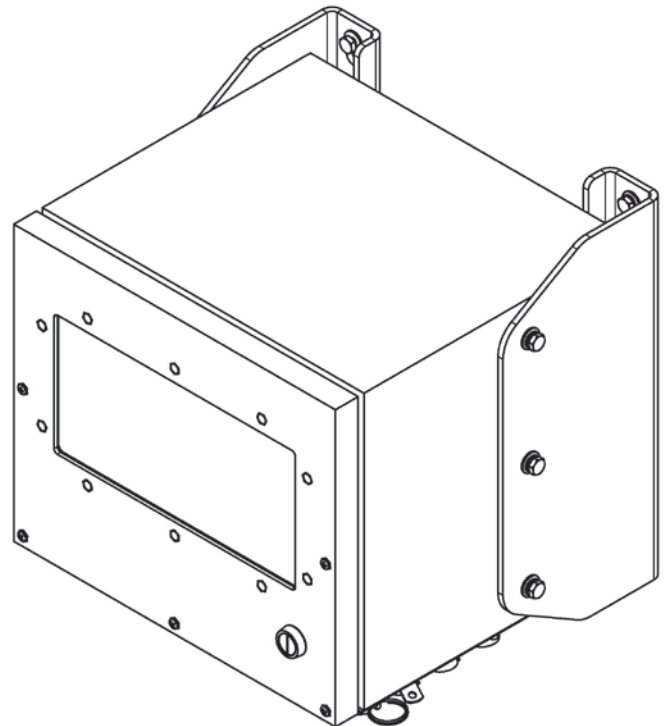
## SIEMENS RX1510 Specifications

<b>Multiple Ports</b>	Up to 24x 10/100 BaseTx Up to 8x Gigabit Ethernet ports Up to 24x 100 BaseFx ports Up to 12x ports 10FL/100SX SC, ST, LC, and MTRJ Pluggable Optics (SFP)
<b>Fiber Ports</b>	Up to 12x ports 10FL/100SX SC, ST, LC, and MTRJ Pluggable Optics (SFP)
<b>WAN Ports</b>	Up to 4x T1/E1 ports Cellular (EVDO/HSPA) DDS (56K Master/Slave, 64K Slave)
<b>Hot Swappable Power Supplies</b>	2-12 VDC (9-15 VDC) 24 VDC (15-36 VDC) 48 VDC (36-72 VDC) or HI (88-300 VDC / 85-264 VAC) Redundant load-sharing power supplies
<b>Modular</b>	All modules are field replaceable
<b>Enclosure</b>	IP40 Aluminum Fanless
<b>Serial Ports</b>	Up to 24x RS-232/422/485
<b>Operating Temperatures</b>	-25° to +70° C





REAR



ISO SIDE