

SPC-3000 COMPACT EMBEDDED COMPUTER

Intel® Core™ i7/ i5/ i3 U-series Processor (Skylake-U) Ultra-slim Fanless Embedded Box PC, 4 GigE LAN, 2 SSD, 1 SIM, 4 USB 3.0, 9 COM, 16 Isolated DIO, -40°C to 70°C, Rugged, High Performance, Extended Temperature



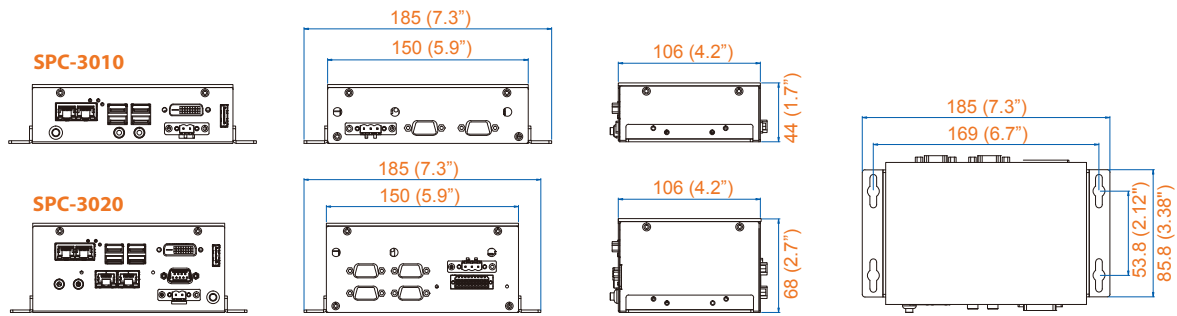
- 6th Generation Intel® Core™ i7/ i5/ i3 U-series SoC (Skylake-U)
- DDR4 2133MHz memory, up to 16GB
- Onboard DVI-D and DisplayPort display interfaces support up to 4K resolution
- Up to 5 Independent GigE LAN, iAMT 11.0 supported
- Optional supports full function SUMIT A, B expansions
- 1U in height, Fanless design, -40°C to 70°C Operating Temperature
- 9V to 36V DC Power Input
- 16 Isolated DIO
- 4 USB 3.0, 9 COM RS-232/ 422/ 485
- One-stop SUMIT Expansion Design and Manufacturing Services



In-vehicle Infotainment Self-Service Smart Manufacturing Medical Robot Control



Dimensions & Drawing Unit: mm (inch)



Specifications

System

Processor	Intel® Core™ i7/ i5/ i3/ Celeron® U-series Processor (Skylake-U)
Chipset	Intel® SoC (Skylake)
BIOS	AMI
SIO	IT8786E
Memory	1 DDR4 2133/ 1866 MHz SO-DIMM, up to 16GB
OS	Windows 10, Windows 8.1, Windows 7, Linux

I/O Interface

Serial	Up to 9 COM RS-232/ 422/ 485
USB	<ul style="list-style-type: none"> 4 USB 3.0 (External) Up to 4 USB 2.0 (Internal)
DIO	SPC-3020, 3030 : 16 Isolated DIO : 8 DI, 8 DO SPC-3010 : 16 GPIO (Internal)
LED	Power, HDD
SIM Card	1 SIM Card Socket (Internal)

Expansion

Mini PCIe	2 Mini PCIe Socket : <ul style="list-style-type: none"> 1 Full-size for PCIe/ USB/ Internal SIM Card 1 Full-size for PCIe/ USB/ mSATA
SUMIT A, B	2 SUMIT Slot (Optional)

Graphics

Processor Interface	Intel® HD Graphics 520 <ul style="list-style-type: none"> DVI-D : Up to 1920 x 1080 @ 60Hz DisplayPort : Up to 3840 x 2160 @ 60Hz
----------------------------	---

Storage

SATA	2 SATA III (6Gbps) support S/W RAID function
mSATA	1 SATA III (Mini PCIe Type, 6Gbps)
Storage Device	2 2.5" SSD/ HDD Bracket (Internal)

Audio

Audio Codec	Realtek ALC892, 5.1 Channel HD Audio
Audio Interface	1 Mic-in, 1 Line-out

Ethernet

LAN 1	Intel® I219 GigE LAN supports iAMT 11.0
LAN 2	Intel® I210 GigE LAN
LAN 3	Intel® I210 GigE LAN
LAN 4	Intel® I210 GigE LAN
LAN 5	Optional by SUMIT expansion

Power

Power Input	9V to 36V, DC-in
Power Interface	3-pin Terminal Block : V+, V-, Frame Ground
Remote Switch	2-pin Terminal Block

Others

Watchdog Timer	Reset : 1 to 255 sec./min. per step
Smart Management	Wake on LAN, PXE supported
HW Monitor	Monitoring temperature, voltages. Auto throttling control when CPU overheats.

Mechanical

Dimensions (WxLxH)	SPC-3010 : 150mm x 106mm x 44mm (5.9"x4.2"x1.7") SPC-3020 : 150mm x 106mm x 68mm (5.9"x4.2"x2.7") SPC-3030 : 150mm x 106mm x 82mm (5.9"x4.2"x3.2")
Weight	SPC-3010 : 0.9 kg (1.98 lb) SPC-3020 : 1.3 kg (2.87 lb) SPC-3030 : 1.7 kg (3.75 lb)
Mounting	<ul style="list-style-type: none"> Wallmount by mounting bracket 2U Rackmount (Optional)

Environment

Operating Temp.	-40°C to 70°C (-40°F to 158°F)
Storage Temp.	-40°C to 85°C (-40°F to 185°F)
Humidity	5% to 95% Humidity, non-condensing
Relative Humidity	95% @ 70°C
Shock	<ul style="list-style-type: none"> IEC 60068-2-27 SSD : 50G @ wallmount, Half-sine, 11ms IEC 60068-2-64
Vibration	<ul style="list-style-type: none"> SSD : 5Grms, 5Hz to 500Hz, 3 Axis
EMC	CE, FCC, EN50155, EN50121-3-2

Order Information

SPC-3010-600U	• SPC-3000, onboard Intel® Core™ i7-6600U, 2 GigE LAN, 1 SSD, 4 USB 3.0, 2 COM, 1 SIM
SPC-3010-300U	• SPC-3000, onboard Intel® Core™ i5-6300U, 2 GigE LAN, 1 SSD, 4 USB 3.0, 2 COM, 1 SIM
SPC-3010-100U	• SPC-3000, onboard Intel® Core™ i3-6100U, 2 GigE LAN, 1 SSD, 4 USB 3.0, 2 COM, 1 SIM
SPC-3010-955U	• SPC-3000, onboard Intel® Celeron® 3955U, 2 GigE LAN, 1 SSD, 4 USB 3.0, 2 COM, 1 SIM
SPC-3020-600U	• SPC-3000, onboard Intel® Core™ i7-6600U, 4 GigE LAN, 1 SSD, 4 USB 3.0, 5 COM, 1 SIM, 16 Isolated DIO
SPC-3020-300U	• SPC-3000, onboard Intel® Core™ i5-6300U, 4 GigE LAN, 1 SSD, 4 USB 3.0, 5 COM, 1 SIM, 16 Isolated DIO
SPC-3020-100U	• SPC-3000, onboard Intel® Core™ i3-6100U, 4 GigE LAN, 1 SSD, 4 USB 3.0, 5 COM, 1 SIM, 16 Isolated DIO
SPC-3020-955U	• SPC-3000, onboard Intel® Celeron® 3955U, 4 GigE LAN, 1 SSD, 4 USB 3.0, 5 COM, 1 SIM, 16 Isolated DIO
SPC-3030-600U	• SPC-3000, onboard Intel® Core™ i7-6600U, 4 GigE LAN, 2 SSD, 4 USB 3.0, 9 COM, 1 SIM, 16 Isolated DIO

SPC-3000-20170918

* All product information may subject to change without prior notice.

* The rights of all brand names, product names and trademarks belong to their respective owners.