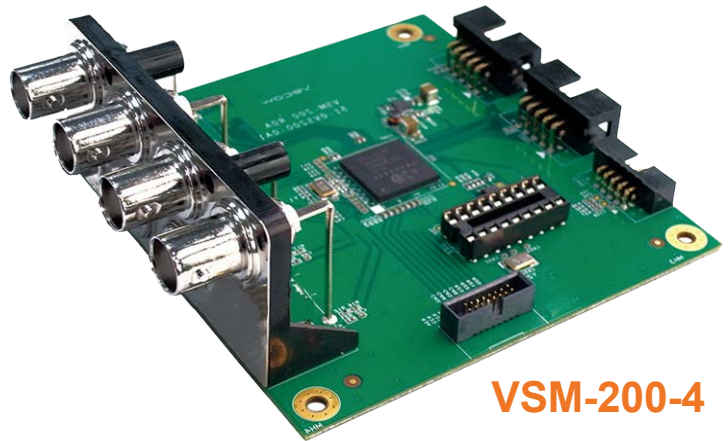


VSM-200 SERIES SUMIT EXPANSION CARD

SUMIT Expansion Card with 8-CH/ 4-CH H.264/ MPEG-4 Video Capture, -25°C to 70°C

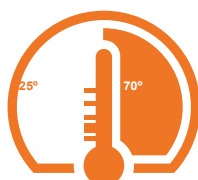
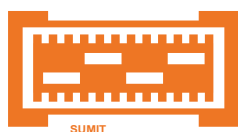


VSM-200-8



VSM-200-4

- 8-channel/ 4-channel video input with H.264/ MPEG-4 software compression
- 200 (PAL)/ 240 (NTSC) at up to D1 resolution for video recording and display
- Audio : 8 Mono/ 2 Stereo
- Programmable motion detection
- Windows XP/ Windows VISTA/ Windows 7/ Linux OS supported
- Supports SDK VC++, NET

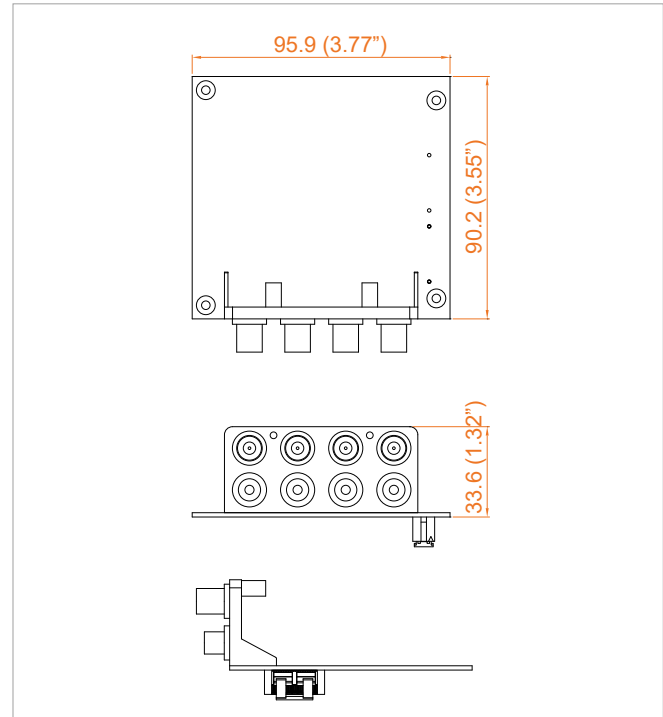


Specifications

Video	
Video Standard	Composite for NTSC/PAL
Channel Qty	VSM-200-8: 8 VSM-200-4: 4
Compression	S/W H.264/ MPEG-4
Max. Display Rate	25/30 fps (PAL/NTSC) @ D1 per Channel
Max. Recording Rate	25/30 fps (PAL/NTSC) @ D1 per Channel
Audio	
Format	8 Mono/ 2 Stereo
Channel Qty	VSM-200-8: 8 VSM-200-4: 4
I/O Interface	
Bus Type	SUMIT A, B
Video	④4 BNC, 4 RCA onboard ①1 16-pin header to D-Sub 15 cable
Audio	③Channel 1 to 4 : 4 input BNC ③Channel 5 to 8 : 4 input BNC to D-Sub 15
System Requirements	
OS	③Windows : Windows XP/ Windows VISTA/ Windows 7 (64-bit/ 32-bit) ③Linux : Standard Linux kernel 2.6.38/ 2.6.33
Memory	2 GB
VGA	1024 x 768, DirectX 9.0c
Environment	
Operating Temperature	-25°C to 70°C (-13°F to 158°F)
Storage Temperature	-40°C to 85°C (-40°F to 185°F)
Humidity	5% to 95% Humidity, non-condensing
Relative Humidity	95% @ 70°C
EMC	CE, FCC

Mechanical	
Dimensions (W x L)	90mm x 96mm (3.5" x 3.8")
Weight	165 g

Dimensions



Recommended Configurations

High Performance Embedded Systems	IVH-9000, ECS-9000, ECS-8000, ECS-7800, ECS-7000	Ultra Compact Embedded System	SPC-3500, SPC-3000
Expandable Embedded System	ECS-9700, ECS-9600	3.5" Single Board Computer	EMBC-1000

Order Information

VSM-200-4	SUMIT (PCIe) Expansion Card with 4-CH H.264/ MPEG-4 Video Capture
VSM-200-8	SUMIT (PCIe) Expansion Card with 8-CH H.264/ MPEG-4 Video Capture

VSM-200

* All product information may subject to change without prior notice.

* The rights of all brand names, product names and trademarks belong to their respective owners.